



Transit Mixer

1217C (4x2)

Ruggedness has never been this smooth.



BHARATBENZ

Power Ahead

Technical Specifications

1217 (4x2)

Dimensions (mm)

Wheel Base	3760
Overall Length	6035
Overall Width	2135
Overall Height	2455
Minimum Ground Clearance	270
Load Body Length	6.5 Cum Box Tipper

Weight

Gross Vehicle Weight (GVW)	13,000 kg
----------------------------	-----------

Engine

Model	4D34i
Maximum Power	125 kW (170 hp) @ 2500 rpm
Maximum Torque	520 Nm @ 1500 - 2000 rpm
No. of Cylinders, Displacement	4 Nos., 3907 cc

Gearbox

Gearbox Model & Type	G 85 - 6F+1R, Mechanical, Synchromesh Gears
Clutch Type, Diameter	Single dry plate, Hydraulic Control with clutch booster, 362 mm

Axle

Front Axle Model, Type	IF 5.0, Reverse Elliot
Rear Axle Model, Type	AAM 10.22, Full Floating, Hypoid Gears
Differential Ratio	6.33

Chassis Frame & Suspension

Chassis Type	Ladder type Channel Section with cross member
Depth x Flange Width x Thickness	230 mm x 80 mm x 7 mm
Front Suspension	Semi elliptical leaf spring with shock absorbers
Rear Suspension	Semi elliptical laminated leaf spring
Anti-roll Bar	In Front & Rear

Brakes & Tyres

Service Brake	Pneumatic, Foot operated, Dual line
Parking Brake	Pneumatically operated Spring brake
Wheel Rims & Tyres	6.50 x 20, 8.25 X 20 - 16PR

Steering & Cabin

Steering Type	Hydraulic Power assisted
Cabin	Day Cabin, Tilttable

Fuel Tank & Electrical

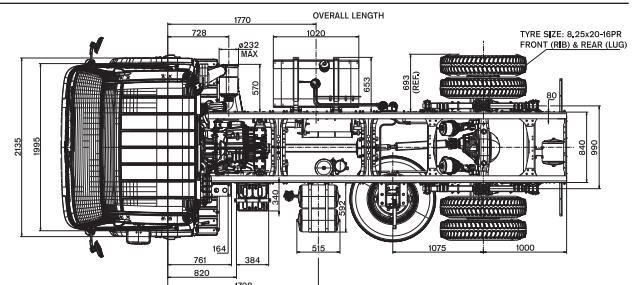
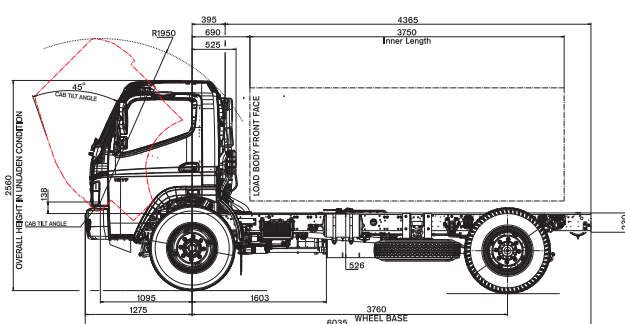
Fuel Tank	200 litres
Voltage	24 V Electrical System
Battery Capacity	2 x 12 V, 75 Ah

Performance

Maximum Gradeability	33%
Maximum Geared Speed	80 km/h
Minimum Turning Circle Diameter	14.5 m

Configuration

Standard	Fully Built 6.5 CuM Box Tipper
Optional	Cabin Chassis
Option Packs	Comfort Pack (A/C)



Options and features shown may not be part of standard equipment. Colours may vary owing to printing. BharatBenz trucks conform to Bharat Stage III norms. Manufacturer reserves right to change specifications without prior notice.

Date of print: 15th February, 2015

Daimler India Commercial Vehicles Pvt. Ltd.
Email: sales_dicv@daimler.com
Website: www.bharatbenz.com

Omni Trucking

Omni Motors Pvt. Ltd.

BharatBenz Authorised Dealer

Parwanipur, Birganj, Nepal

Ph: +977 51 580290

Email: info@omnitrucking.com.np

Website: www.omnitrucking.com.np