



Fixed Side Deck



Drop Side Deck



Container



Reefer

1214R (4x2)

Speed has never been this fuel-efficient.



BHARATBENZ

Power Ahead

Technical Specifications

1214 (4x2)

Dimensions (mm)

Wheel Base	3760	3760	4250
Overall Length	6380	7075	7585
Overall Width	2225	2225	2225
Overall Height	2500	2500	2500
Minimum Ground Clearance	245	245	245
Load Body Length	4440 (14.6 ft.)	5175 (17 ft.)	5785 (19 ft.)

Weight

Gross Vehicle Weight (GVW)	12,800 kg
----------------------------	-----------

Engine

Model	4D34i
Maximum Power	100 kW (140 hp) @ 2500 rpm
Maximum Torque	420 Nm @ 1500 - 2000 rpm
No. of Cylinders, Displacement	4 Nos., 3907 cc

Gearbox

Gearbox Model & Type	G 85 - 6F+1R, Mechanical, Synchromesh Gears
Clutch Type, Diameter	Single dry plate, Hydraulic control with clutch booster, 362 mm

Axle

Front Axle Model, Type	IF 4.5, Reverse Elliot
Rear Axle Model, Type	AAM 9.22, Full floating, Hypoid gears
Differential Ratio	6.33 6.33 5.13

Chassis Frame & Suspension

Chassis Type	Ladder type Channel Section with cross member
Depth x Flange Width x Thickness	228 mm x 80 mm x 6 mm
Front Suspension	Semi elliptic leaf spring with shock absorbers
Rear Suspension	Semi elliptic laminated leaf spring
Anti-roll Bar	Optional (Front & Rear)

Brakes & Tyres

Service Brake	Pneumatic, Foot operated, Dual line
Parking Brake	Pneumatically operated Spring brake
Wheel Rims & Tyres	6.50 x 20, 8.25 x 20 - 16 PR

Steering & Cabin

Steering Type	Hydraulic Power assisted
Cabin	Day Cabin, Tilttable

Fuel Tank & Electrical

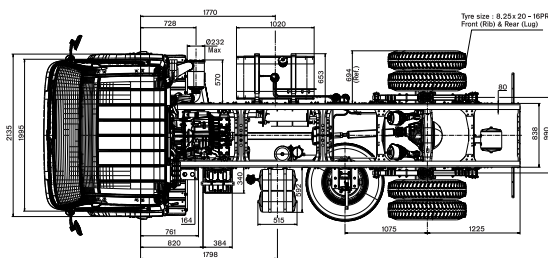
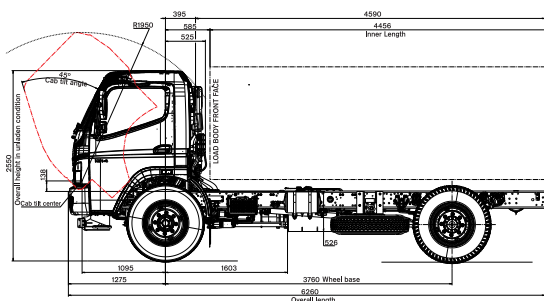
Fuel Tank	200 litres
Voltage	24 V Electrical System
Battery Capacity	2 x 12 V, 75 Ah

Performance

Maximum Gradeability	27.5%	27.5%	21.8%
Maximum Geared Speed			90 km/h
Minimum Turning Circle Diameter	14.8 m	14.8 m	17.7 m
Pay Load (kg)		9205	9305

Configuration

Standard	Cabin & Chassis
Load Body Option	Fixed Side Deck, Drop Side Deck, High Side Deck
Option Packs	Comfort Pack (A/C)



Options and features shown may not be part of standard equipment. Colours may vary owing to printing. BharatBenz trucks conform to Bharat Stage III norms. Manufacturer reserves right to change specifications without prior notice.

Date of print: 15th February, 2015

Daimler India Commercial Vehicles Pvt. Ltd.
 Email: sales_dicv@daimler.com
 Website: www.bharatbenz.com

Omni Trucking

Omni Motors Pvt. Ltd.

BharatBenz Authorised Dealer

Parwanipur, Birganj, Nepal

Ph: +977 51 580290

Email: info@omnitrucking.com.np

Website: www.omnitrucking.com.np